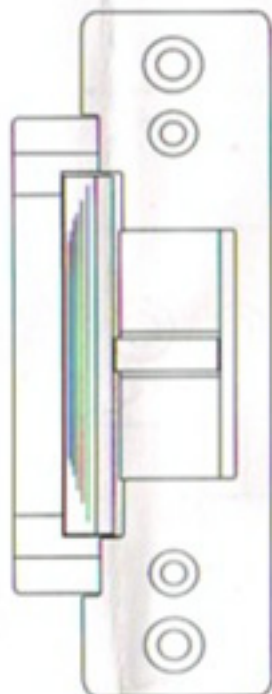
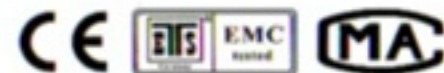
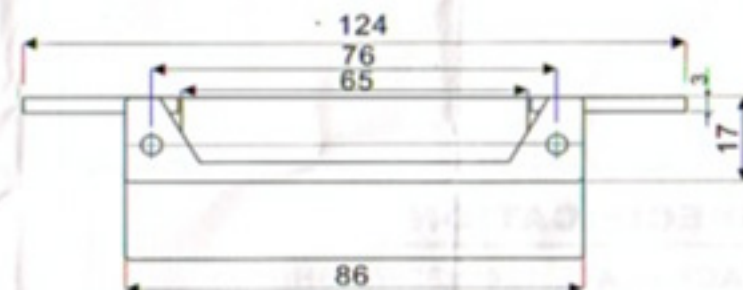
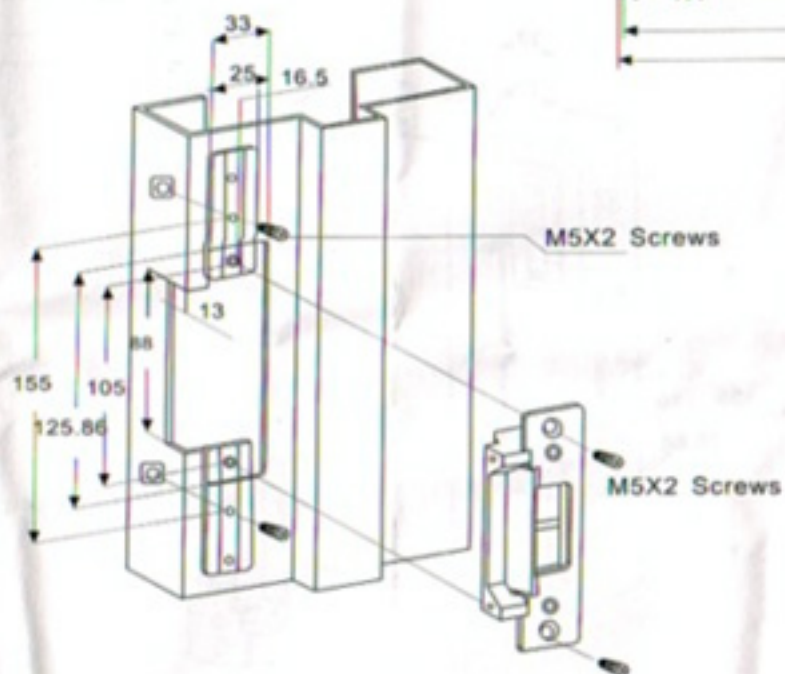
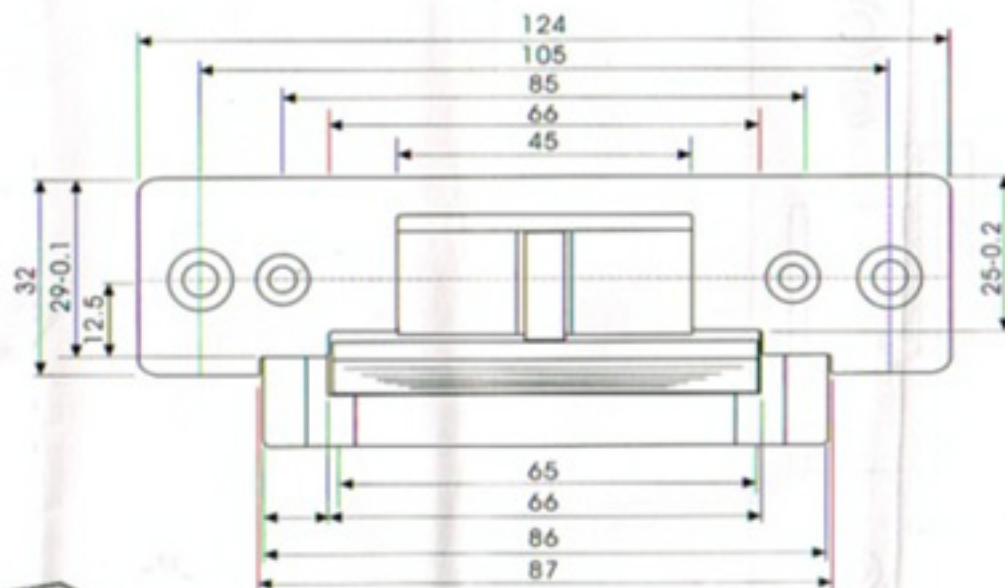


# ELECTRIC STRIKE



## INSTALLATION



### SPECIFICATION

FACE PLATE: 124Lx32Wx33H(MM)

Stainless steel

VOLTAGE: 12VDC

CURRENT: 250mA

FEATURE: FAIL SECURE(NO)

FAIL-SAFE(NC)

WHITE: +, -

BLUE: NO

ORANGE: NC

YELLOW: COM