

NI-610 External Installation Electric Lock

Installation Manual

External Installation Electric Lock Model NI-610 is special for all glass-made door. Time delay Setting can keep the bolt open/close status in a certain period. So when it connects to Access control, it can make some employee enter or exit the door simultaneously. It also can check the position of lock and door.

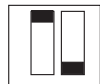
Specifications:

Working Mode	Fail Safe/Fail Secure
Input Voltage	12VDC
Start-up Current	0.90A
Operating Current	0.25A
Dimension	170mm×43mm×40mm
Weight	0.6kg

Time Delay Setting



0s

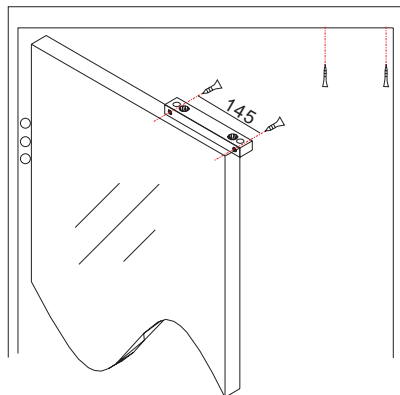
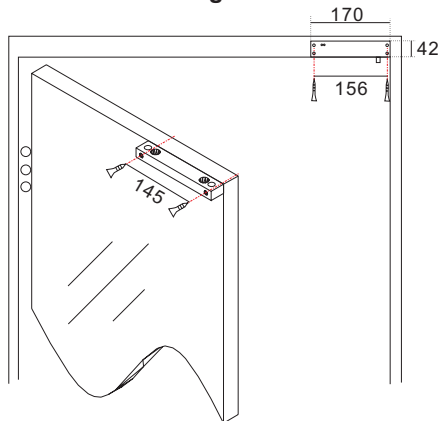


2.5s

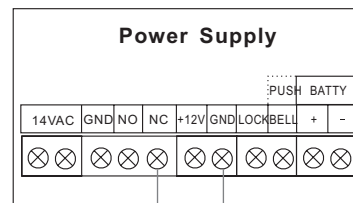


5s

Installation Diagram



Wiring Diagram



RED

BLACK

POWER RED +12VDC
BLACK -GND
LOCK SENSOR
YELLOW NC
BLUE NO
WHITE COM

