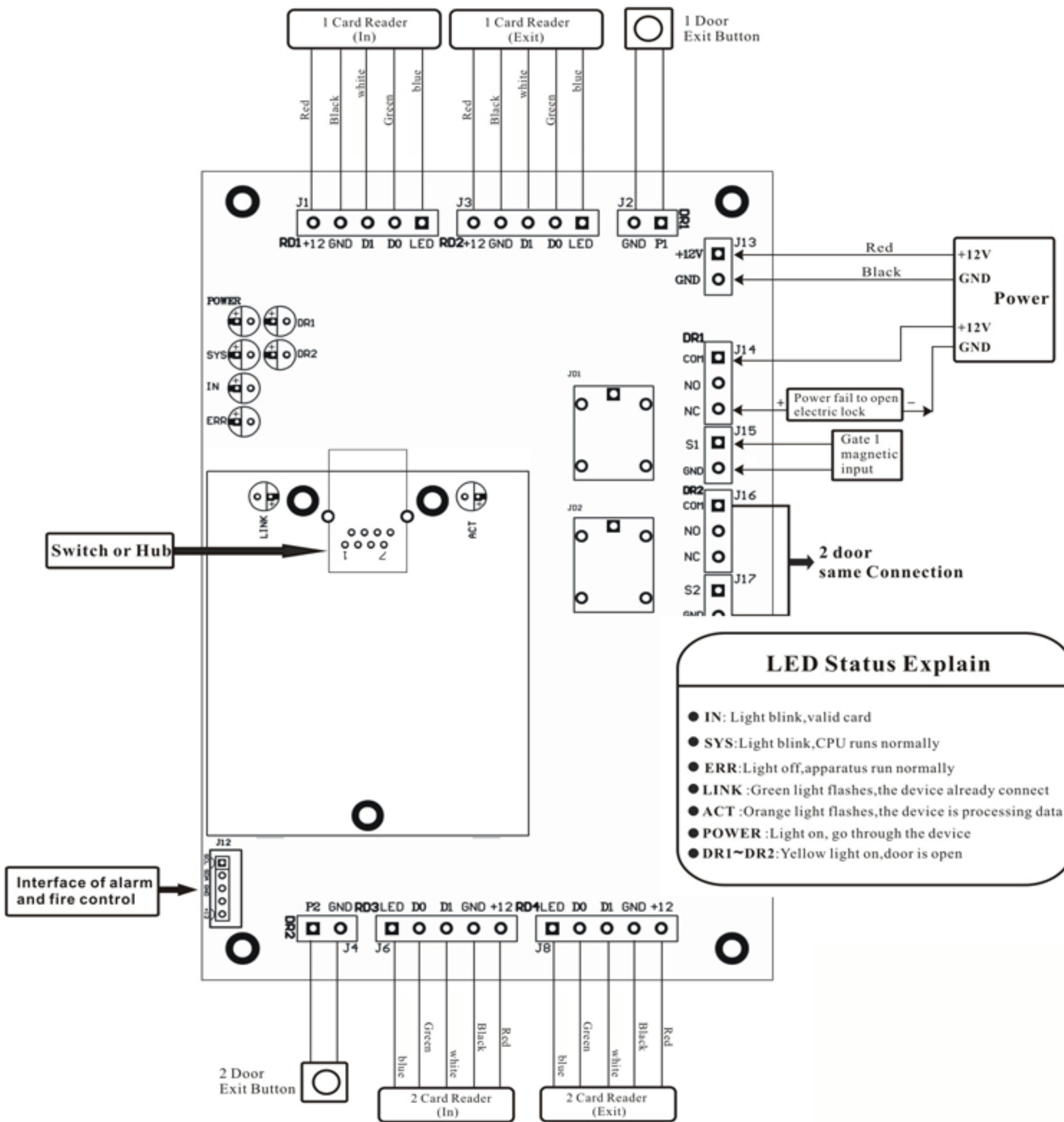


Double Door Access Controller Wiring Diagram



LED Status Explain

- **IN**: Light blink, valid card
- **SYS**: Light blink, CPU runs normally
- **ERR**: Light off, apparatus run normally
- **LINK**: Green light flashes, the device already connect
- **ACT**: Orange light flashes, the device is processing data
- **POWER**: Light on, go through the device
- **DR1~DR2**: Yellow light on, door is open